



CENTENARY EDITION SUPERLEGGERA 40SC100



CONGRATULATIONS and thank you for purchasing one of our Australian made fishing reels. These reels are constructed from the highest quality materials to ensure your reel will last for many years.

Plus, all these other advantages -

Control large fish with ease:

Powerful one-to-one wind. A carbon fibre handle plate and tensioning star are combined with a super smooth clutch utilising laser cut stainless steel drag washers and carbon fibre friction washers. This offers a drag with real fighting power.

Strong and light weight:

The spool and back plate are moulded from a space-age resin combining a special light weight nylon, infused with carbon fibres to provide superb strength. This has been engraved with a camouflage pattern and unique limited run serial number to celebrate our 100 years of manufacturing.

Special Features

-  Limited Centenary Edition Reel
-  Carbon Fibre Spool & Back Plate
-  Titanium Handle Screw
-  Titanium Spindle
-  Carbon Fibre Tension Adjusting Star
-  Carbon Fibre Handle Plate
-  Carbon Fibre Clutch Washers



Alvey 10 Year Guarantee: Any faulty Alvey part or reel will be replaced at no charge providing the manufacturer finds the part or reel has had normal usage and attention.

Metal Components

The metal components of this special centenary model include a titanium spindle and handle screw with a stainless-steel bushed spool. Marine grade brass friction tube runs with the laser cut stainless steel drag pawl. The reel mount is a strong nickel-plated brass foot.

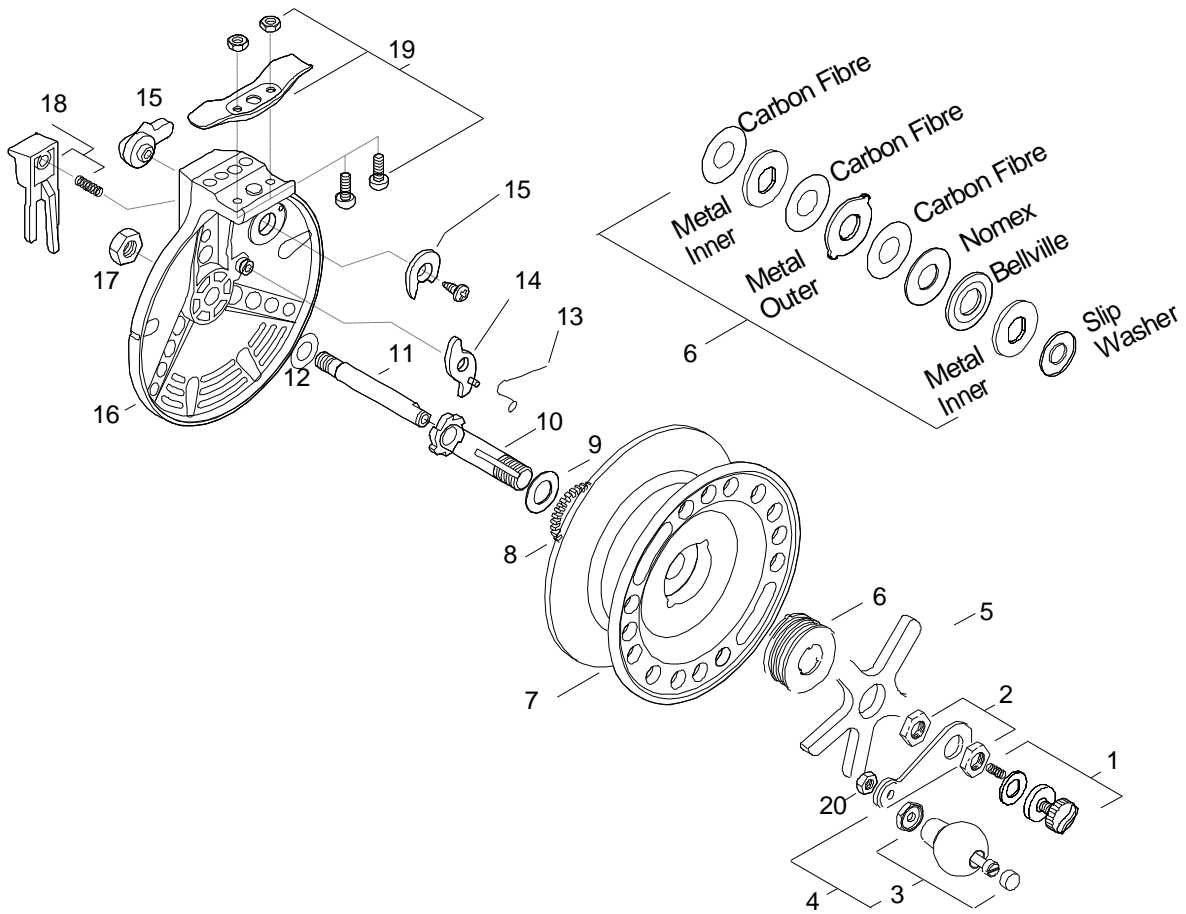
You can fish harder and longer: Simple, rugged construction means you can forget that fiddly maintenance, because your Alvey reel will resist the effects of saltwater and sand.

Maintenance

After each day of fishing wash off the salt and sand. Use a light machine oil on working spindles, handle, drag pawl. Lubricate as above before storage.

Reel Icon Pty Ltd Trading as
Alvey Reels Australia ABN 57 625 261 707
2-6 Antimony Street Carole Park Qld 4300
t: +61 7 3271 2844 f: +61 7 3271 2451

For more hints and tips on maintenance, please visit the **spare parts** page at www.alvey.com.au
e: info@alvey.com.au
#alveyreels



Key	Part	Description	Key	Part	Description
1	R6E9	Spindle Screw	11	R6A31	Spindle
2	R7F1	Handle Lock Nuts	12	R6J7	Spindle Washer
3	R4F18	Handle Assembly	13	R5G3	Drag Spring
4	R7E29	Handle-plate Assy	14	R7J6	Drag Pawl
5	R7D18	Drag Tension Star	15	R7K13	Non-Reverse Lever Kit
6	R7B/C9	Drag Washer Set	16	R1A	Graphite Back
7	R4A	Spool Only	17	R6F1	Spindle Hex Nut
8	R5B6	Ratchet Wheel	18	R5E12	Ratchet Switch
9	R7H6	Friction Tube Washer	19	R2C4	Base Assembly
10	R7A12	Friction Tube	20	R6F2	Hex Nut